



DESIGNER

Lievore Altherr Molina

DESCRIPTION

Inspired from tree branches, the Branch collection looks fluid and organic. Behind the airy, casual appearance lies a sophisticated design and well thought-out materials. The aluminium cast frame is combined with a seat and backrest in polypropylene, reinforced with glassfiber. Both materials are easy to maintain, recycable and optimally weather-resistant.

MATERIALS

- Frame: aluminium, double coated (primer and polyester powder)
- Seat & back: polypropylene reinforced with glassfiber, UV-resistant
- Table tops low tables : Indonesian plantation teak, solid surface or polymer concrete

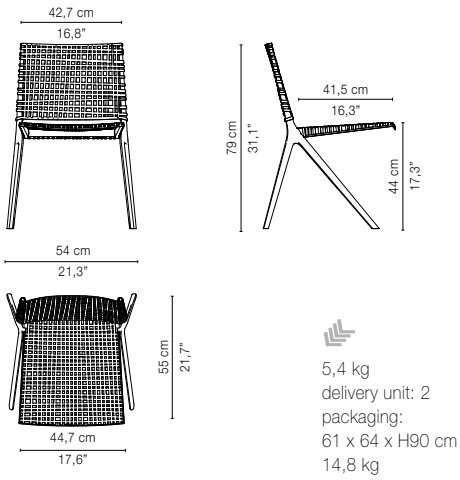
COLOURS



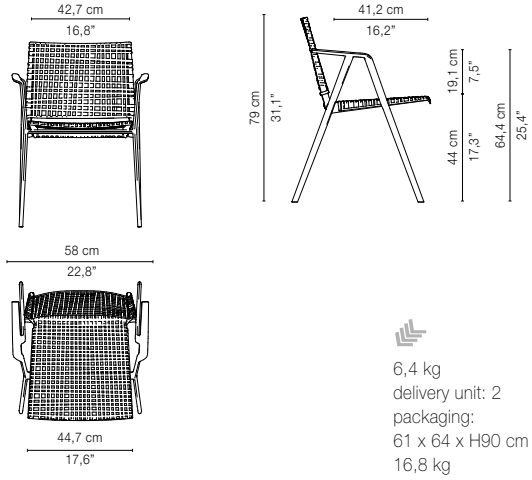
00-White 10-Linen 89-Wengé

TECHNICAL DRAWINGS

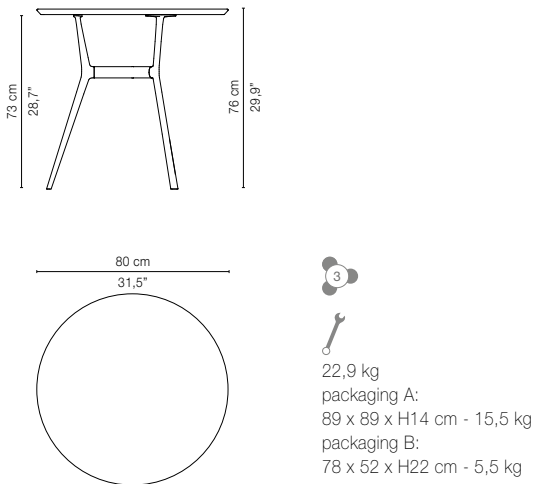
07610 - Side chair



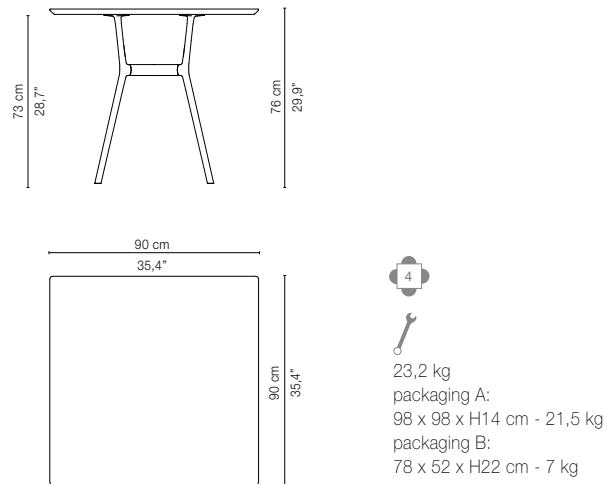
07618 - Armchair



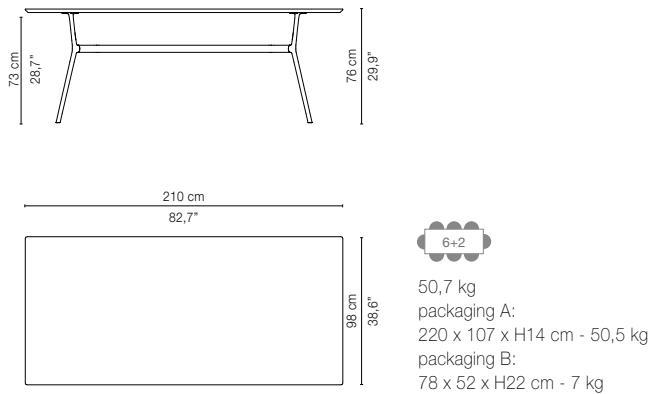
07660 - Bistro table round



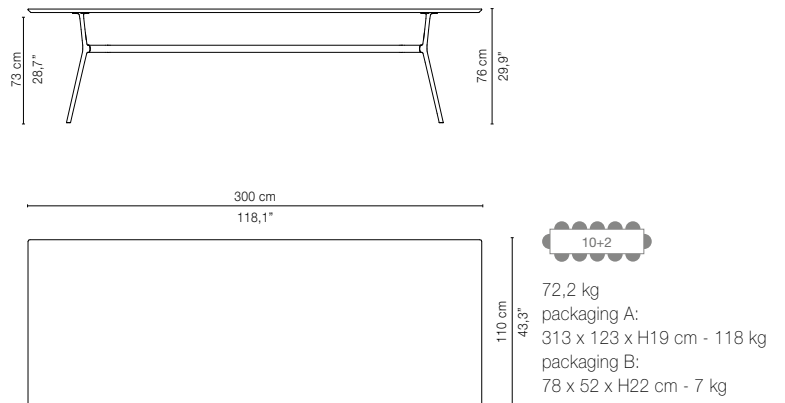
07670 - Bistro table square



07652 - Dining table 210x98 cm

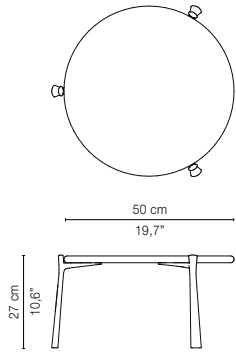


07654 - Dining table 300x110 cm

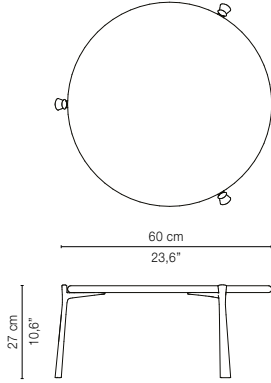


TECHNICAL DRAWINGS

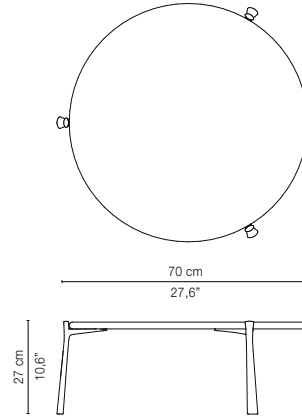
07680 - Low table



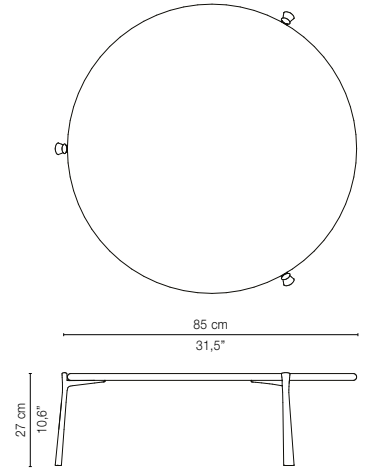
07682 - Low table



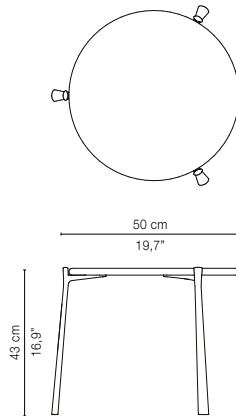
07684 - Low table



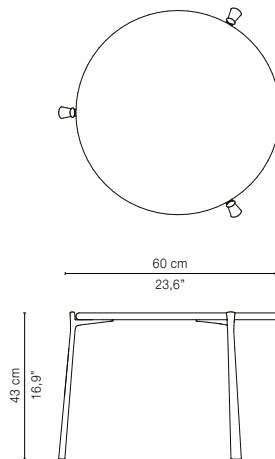
07686 - Low table



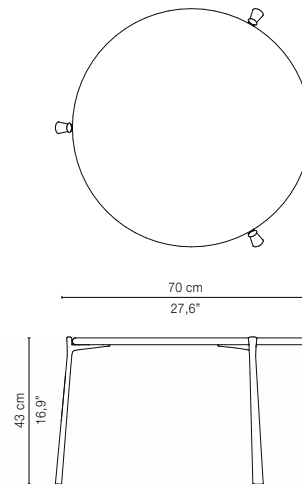
07681 - Low table



07683 - Low table



07685 - Low table



07687 - Low table

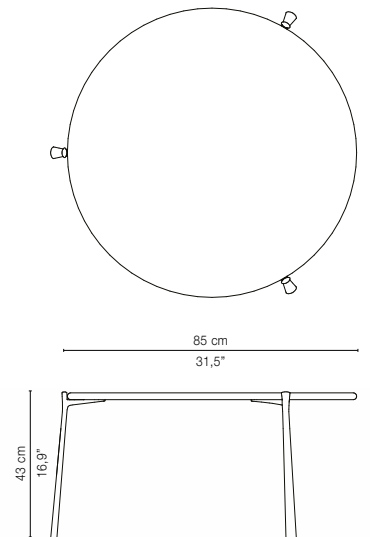


TABLE TOPS:

Solid Surface:



00-White

Polymer Concrete:



10-Stone grey



12-Clay grey

Teak:



BRANCH

CUSHIONS

Chair (C07610s): seat cushion with ribbons and push buttons to keep cushion in place. Fine detail stitching



MAINTENANCE



D9952
Aluminium Cleaner
(frame)



D9922
Synthetics
Super Cleaner
(seat + back)



D9930
Metal Protector Teflon®
(spray that lays an invisible
dirt-repellent film)

