

PRODUCT DATA SHEET

Choose Mega terra - Halo Parchment

**DESIGN BY :**

Matteo Thun
2006

MATERIALS :


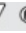
Metal, zamac, thermoformed material, parchment paper

DESCRIPTION :

Base in zamac, painted metal structure, adjustable diffuser in thermoformed material joined with parchment paper.

Light emission

Diffused And Direct

IP 20    
Dimmer

TECHNICAL DATA SHEET

FEATURES

Product name:	Choose Mega terra - Halo Parchment
Article Code:	1135020A
Colour:	Grey / Natural
Material:	Metal, zamac, thermoformed material, parchment paper
Series:	Design
Environment:	Indoor
Area contract:	Hospitality Hotel, Private Residence

OPTICS

Emission:	Diffused And Direct
-----------	---------------------

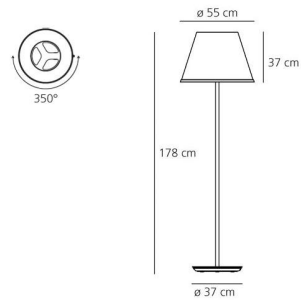
DIMENSIONS

Height:	(cm) 178
Cutout width:	(cm) 55
Base Diameter:	(cm) 37
Cutout shape:	

LAMPS NOT INCLUDED

Category:	HALO
Number:	3
Lbs:	Qa60
Watt:	70
Socket:	E27
Type:	Hsgsa/c/ub
Colour Rendering:	1a
Colour temperature (K):	2900
Duration (h):	2000

Category:	HALO
Number:	1
Lbs:	R80
Watt:	100
Socket:	E27
Type:	Irr
Colour Rendering:	1a
Colour temperature (K):	N/s

DIMENSIONS**LAMP**

IP 20    

Dimmer

ELECTRICAL

Voltage: 220V-240V