

PRODUCT DATA SHEET

Tolomeo basculante parete - Satin 180

**DESIGN BY :**

Michele De Lucchi , Giancarlo Fassina
2004

MATERIALS :

Polished aluminium, silk satin fabric and plastic

DESCRIPTION :

Cantilevered arms in polished aluminium; diffuser in silk satin fabric on a plastic frame; wall support in polished aluminium. System of spring balancing.

The diffuser normally used, remains vertical regardless of the angle of the arm.

Light emission

Diffused and adjustable

IP 20    

TECHNICAL DATA SHEET

FEATURES

Product name:	Tolomeo basculante parete - Satin 180
Article Code:	0947020A + A025150
Colour:	Grey
Material:	Polished aluminium, silk satin fabric and plastic
Support:	Wall
Support colour:	Mirror
Series:	Design
Area contract:	Private Residence

OPTICS

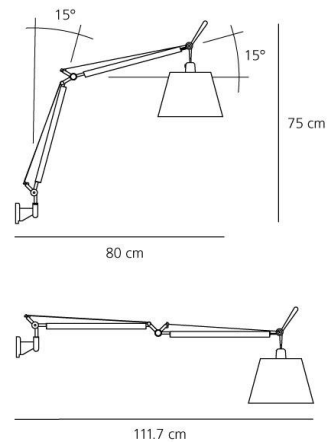
Emission:	Diffused and adjustable
-----------	-------------------------

DIMENSIONS

Length:	(cm) 80
Height:	(cm) 75
Max Extension Length:	(cm) 112
Cutout shape:	

LAMPS NOT INCLUDED

Category:	HALO
Number:	1
Lbs:	Qa60
Watt:	70
Socket:	E27
Type:	Hsgsa/c/ub
Colour Rendering:	1a
Colour temperature (K):	2900
Duration (h):	2000

DIMENSIONS**LAMP**

IP 20    