

PRODUCT DATA SHEET

Tolomeo tavolo - Fluo darklight Black



DESIGN BY :

Michele De Lucchi , Giancarlo Fassina
1987

MATERIALS :

Anodized aluminium, polished aluminium

DESCRIPTION :

Base and cantilevered arms in polished aluminium; diffuser in matt anodised black aluminium; joints and supports in polished aluminium. System of spring balancing.

Interchangeable support: table base, clamp, desk fixed support and twin support that allows two independent lamp units to be fitted. Lamp and darklight louvre included.

Light emission



Direct Adjustable

IP 20     

TECHNICAL DATA SHEET

FEATURES

Product name:	Tolomeo tavolo - Fluo darklight Black
Article Code:	1029030A + A005330
Colour:	Black
Material:	Anodized aluminium, polished aluminium
Support:	Base
Support colour:	Black
Series:	Design
Environment:	Indoor
Area contract:	Hospitality Hotel, Office, Private Residence

OPTICS

Emission:	Direct Adjustable
-----------	-------------------

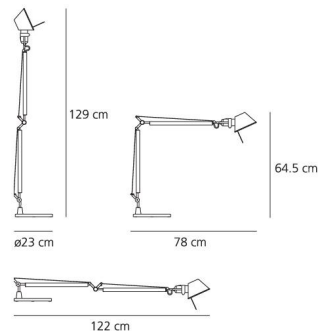
DIMENSIONS

Length:	(cm) 78
Height:	(cm) 64.5
Base Diameter:	(cm) 23
Max Extension Height:	(cm) 129
Max Extension Length:	(cm) 122
Cutout shape:	

LAMPS INCLUDED

Category:	FLUO
Number:	1
Lbs:	Tc-tel
Watt:	18
Socket:	Gx24q-2
Type:	Fsmh
Colour Rendering:	1b
Colour temperature (K):	3000
Duration (h):	10000

DIMENSIONS



LAMP

IP 20     

ELECTRICAL

Voltage:	220V-240V
----------	-----------

ACCESSORIES



TOLOMEO SUPP.TAVOLO
FISSO A004200



TOLOMEO MORSETTO
A004100



TOLOMEO SUPPORTO
TAVOLO TWIN A004300